



FUKUCOM COMPANY LTD.

福 靈 有 限 公 司

FLAT P, 3/F., EVEREST INDUSTRIAL CENTRE, 396 KWUN TONG ROAD,  
KWUN TONG, KOWLOON, HONG KONG.  
TEL: 2790-0314 FAX: 2790-0206



RECTIFIER SPECIALISTS

KBU4A  
THRU  
KBU4M

TECHNICAL SPECIFICATIONS OF SINGLE-PHASE SILICON BRIDGE RECTIFIER

VOLTAGE RANGE - 50 to 1000 Volts

CURRENT - 4.0 Amperes

FEATURES

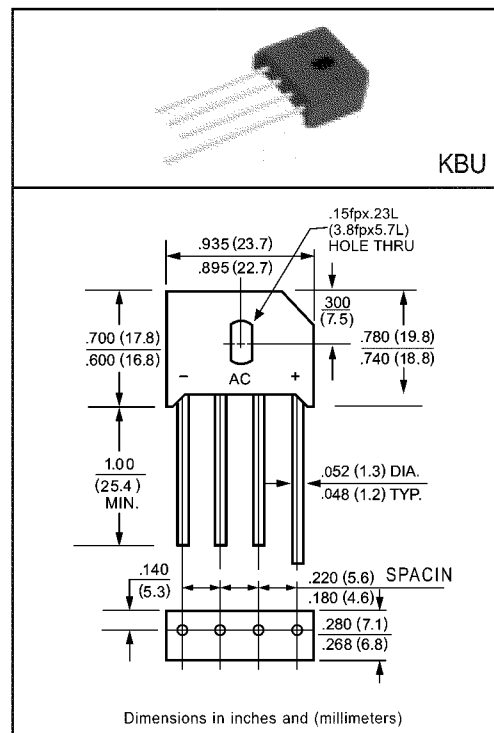
- \* Ideal for printed circuit board
- \* Surge overload rating: 200 Amperes peak
- \* Molded structure

MECHANICAL DATA

- \* Case: Molded plastic
- \* Epoxy: UL 94V-0 rate flame retardant
- \* Lead: MIL-STD-202E, Method 208 guaranteed
- \* Polarity: Symbols molded or marked on body
- \* Mounting position: Any
- \* Weight: 4.8 grams

MAXIMUM RATINGS AND ELECTRICAL CHARACTERISTICS

Ratings at 25 °C ambient temperature unless otherwise specified.  
Single phase, half wave, 60 Hz, resistive or inductive load.  
For capacitive load, derate current by 20%.



	SYMBOL	KBU4A	KBU4B	KBU4D	KBU4G	KBU4J	KBU4K	KBU4M	UNITS
Maximum Recurrent Peak Reverse Voltage	V <sub>RRM</sub>	50	100	200	400	600	800	1000	Volts
Maximum RMS Bridge Input Voltage	V <sub>RMS</sub>	35	70	140	280	420	560	700	Volts
Maximum DC Blocking Voltage	V <sub>bc</sub>	50	100	200	400	600	800	1000	Volts
Maximum Average Forward Output Current T <sub>A</sub> = 75°C	I <sub>o</sub>					4.0			Amps
Peak Forward Surge Current 8.3 ms single half sine-wave superimposed on rated load (JEDEC Method)	I <sub>FSM</sub>					200			Amps
Maximum Forward Voltage Drop per element at 3.0A DC	V <sub>F</sub>					1.0			Volts
Maximum DC Reverse Current at Rated	I <sub>R</sub>					10			uAmps
DC Blocking Voltage per element						500			
I <sup>2</sup> t Rating for Fusing (t<8.3ms)	I <sup>2</sup> t					93			A <sup>2</sup> Sec
Typical Junction Capacitance ( Note1)	C <sub>J</sub>					40			pF
Typical Thermal Resistance (Note 2)	R <sub>θJA</sub>					19			°C/W
Operating Temperature Range	T <sub>J</sub>					-55 to + 150			°C
Storage Temperature Range	T <sub>STG</sub>					-55 to + 150			°C

NOTES : 1. Measured at 1 MHz and applied reverse voltage of 4.0 volts  
2. Thermal Resistance from Junction to Ambient with units mounted on 3.0x3.0x0.11" (7.5x7.5x0.3cm) AL plate.



FUKUCOM COMPANY LTD.

福 靈 有 限 公 司

FLAT P, 3/F., EVEREST INDUSTRIAL CENTRE, 396 KWUN TONG ROAD,  
KWUN TONG, KOWLOON, HONG KONG.

TEL: 2790-0314 FAX: 2790-0206

RATING AND CHARACTERISTIC CURVES

KBU4A THRU KBU4M

FIG. 1 - MAXIMUM NON-REPETITIVE FORWARD SURGE CURRENT

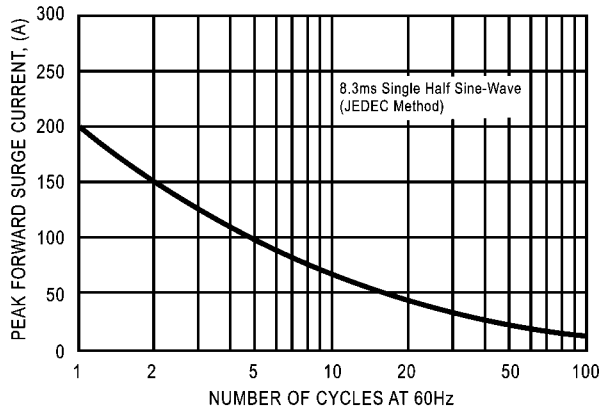


FIG. 2 - TYPICAL FORWARD CURRENT DERATING CURVE

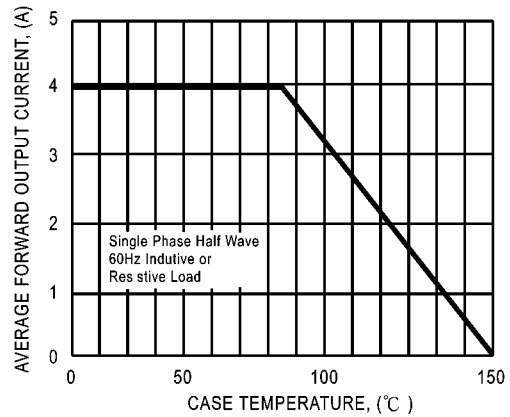


FIG. 3 - TYPICAL INSTANTANEOUS FORWARD CHARACTERISTICS

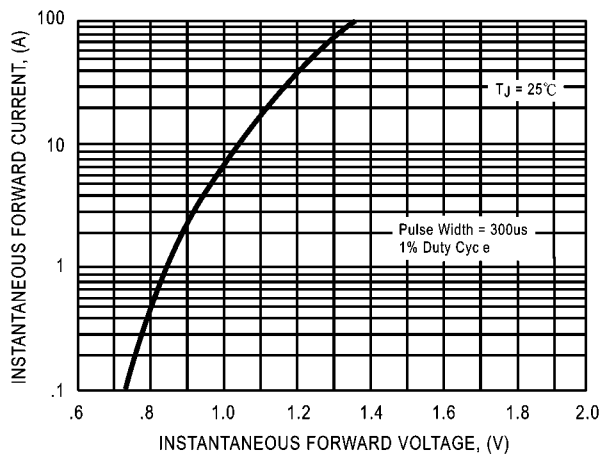


FIG. 4 - TYPICAL REVERSE CHARACTERISTICS

