



FUKUCOM COMPANY LTD.

福 靈 有 限 公 司

FLAT P, 3/F., EVEREST INDUSTRIAL CENTRE, 396 KWUN TONG ROAD,
KWUN TONG, KOWLOON, HONG KONG.

TEL: 852-2790 0314 FAX: 852-2790 0206

 <p>RECTIFIER SPECIALISTS</p>	<p>SR150 THRU SR1100</p>
---	---

TECHNICAL SPECIFICATIONS OF SCHOTTKY BARRIER RECTIFIER

VOLTAGE RANGE - 50 to 100 Volts

CURRENT - 1.0 Ampere

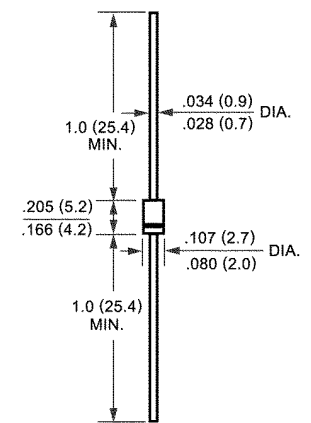
FEATURES

- * Low switching noise
- * Low forward voltage drop
- * High current capability
- * High switching capability
- * High surge capability
- * High reliability

MECHANICAL DATA

- * Case: Molded plastic
- * Epoxy: UL 94V-0 rate flame retardant
- * Lead: MIL-STD-202E, Method 208 guaranteed
- * Polarity: Color band denotes cathode end
- * Mounting position: Any
- * Weight: 0.33 gram

DO-41



Dimensions in inches and (millimeters)

MAXIMUM RATINGS AND ELECTRICAL CHARACTERISTICS

Ratings at 25 °C ambient temperature unless otherwise specified.
Single phase, half wave, 60 Hz, resistive or inductive load.
For capacitive load, derate current by 20%.

	SYMBOL	SR150	SR160	SR180	SR1100	UNITS
Maximum Recurrent Peak Reverse Voltage	V _{RRM}	50	60	80	100	Volts
Maximum RMS Voltage	V _{RMS}	35	42	56	70	Volts
Maximum DC Blocking Voltage	V _{DC}	50	60	80	100	Volts
Maximum Average Forward Rectified Current .375"(9.5mm) lead length	I _O	1.0				Amps
Peak Forward Surge Current 8.3 ms single half sine-wave superimposed on rated load (JEDEC Method)	I _{FSM}	40				Amps
Maximum Instantaneous Forward Voltage at 1.0A DC	V _F	.70		.85		Volts
Maximum DC Reverse Current at Rated DC Blocking Voltage	@T _A = 25°C	1.0				mAmps
	@T _A = 100°C	10				mAmps
Typical Thermal Resistance (Note 1)	R _{θJA}	50				°C/W
Typical Junction Capacitance (Note 2)	C _J	110				pF
Operating Temperature Range	T _J	-50 to + 125				°C
Storage Temperature Range	T _{STG}	-65 to + 150				°C

NOTES : 1. Thermal Resistance (Junction to Ambient): Vertical PC Board Mounting, 0.375"(9.5mm) Lead Length.
2. Measured at 1 MHz and applied reverse voltage of 4.0 volts.



FUKUCOM COMPANY LTD.

福 靈 有 限 公 司

FLAT P, 3/F., EVEREST INDUSTRIAL CENTRE, 396 KWUN TONG ROAD,
KWUN TONG, KOWLOON, HONG KONG.

TEL: 852-2790 0314 FAX: 852-2790 0206

RATING AND CHARACTERISTIC CURVES (SR150 THRU SR1100)

FIG. 1 - TYPICAL FORWARD CURRENT DERATING CURVE

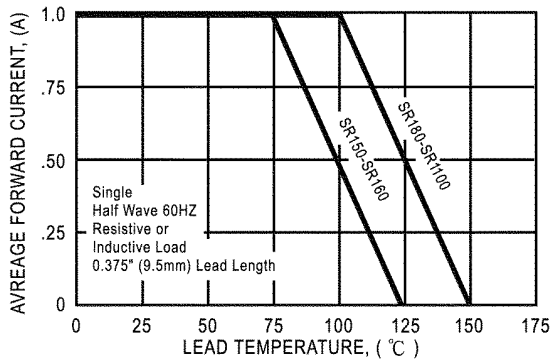


FIG. 2 - TYPICAL INSTANTANEOUS FORWARD CHARACTERISTICS

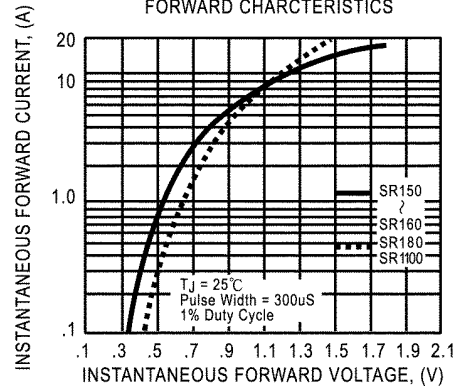


FIG. 3A - TYPICAL REVERSE CHARACTERISTICS

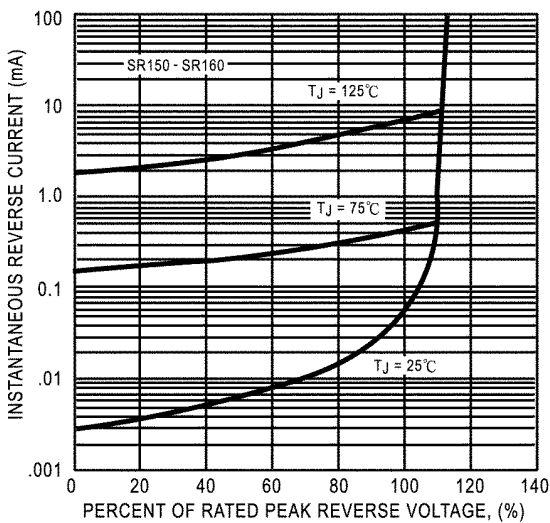


FIG. 3B - TYPICAL REVERSE CHARACTERISTICS

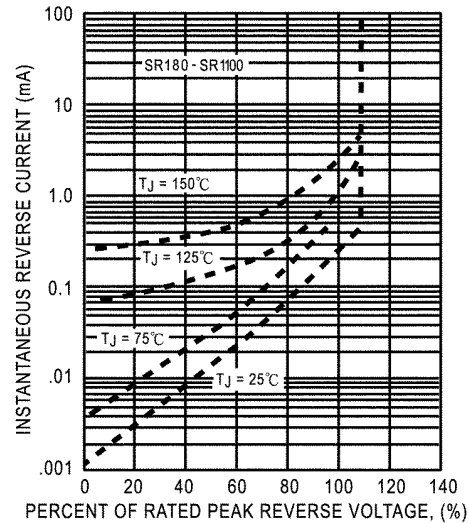


FIG. 4 - TYPICAL JUNCTION CAPACITANCE

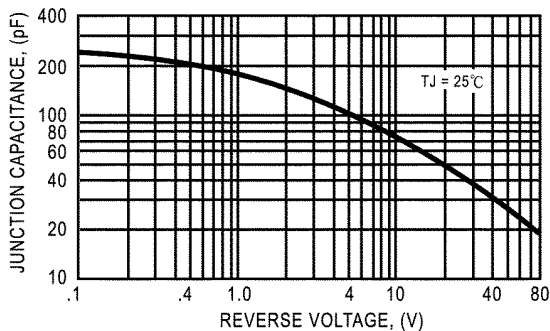


FIG. 5 - MAXIMUM NON-REPETITIVE FORWARD SURGE CURRENT

