



# FUKUCOM COMPANY LTD.

## 福 靈 有 限 公 司

FLAT P, 3/F., EVEREST INDUSTRIAL CENTRE, 396 KWUN TONG ROAD,  
KWUN TONG, KOWLOON, HONG KONG.

TEL: 852-2790 0314 FAX: 852-2790 0206

	<b>RECTIFIER SPECIALISTS</b>	<b>LL103A THRU LL103C</b>
---	------------------------------	-----------------------------------


**TECHNICAL SPECIFICATIONS OF SURFACE MOUNT SCHOTTKY BARRIER DIODES**  
**VOLTAGE RANGE - 20 to 40 Volts** **CURRENT - 0.35 Ampere**

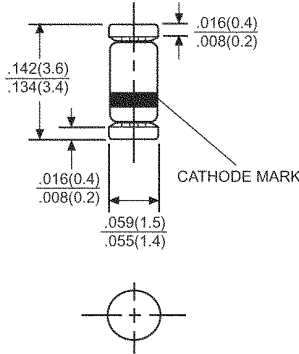
**FEATURES**

- \* For general purpose applications
- \* Low turn-on voltage
- \* Fast switching time
- \* Protected by a PN junction guard ring against excessive voltage, such as electrostatic discharge(ESD)

**MECHANICAL DATA**

- \* Case: Glass sealed case Mini Melf(DL-35)
- \* Terminals: Solder plated solderable per MIL-STD-750, Method 2026
- \* Polarity: Color band denotes cathode end
- \* Mounting position: Any
- \* Weight: 0.05 gram approx.

  
**Mini Melf(DL-35)**



CATHODE MARK

Dimensions in inches and (millimeters)

**MAXIMUM RATINGS AND ELECTRICAL CHARACTERISTICS**

Ratings at 25°C ambient temperature unless otherwise specified.  
 Single phase, half wave, 60Hz, resistive or inductive load.  
 For capacitive load, derate current by 20%.

	SYMBOL	LL103A	LL103B	LL103C	UNITS
Maximum Recurrent Peak Reverse Voltage	VRRM	40	30	20	Volts
Maximum RMS Voltage	VRMS	28	21	14	Volts
Maximum DC Blocking Voltage	Vbc	40	30	20	Volts
Maximum Average Forward Rectified Current at TA=25°C	IO	0.35			Amps
Peak Forward Surge Current 8.3 ms single half sine-wave superimposed on rated load (JEDEC Method)	IFSM	2.0			Amps
Maximum Instantaneous Forward Voltage	VF	0.6			Volts
		0.37			
Maximum DC Reverse Current	IR	5.0 @ VR=30V	5.0 @ VR=20V	5.0 @ VR=10V	μAmps
Typical Thermal Resistance (Note 1)	RθJA	300			°C/W
Typical Junction Capacitance (Note 2)	Cj	50			pF
Storage Operating Temperature Range	TJ, TSTG	-55 to + 125			°C

Note: 1. Terminals maintained at specified ambient temperature.  
 2. Measured at 1 MHz and applied reverse voltage of 0 volts.



**FUKUCOM COMPANY LTD.**

**福 靈 有 限 公 司**

FLAT P, 3/F., EVEREST INDUSTRIAL CENTRE, 396 KWUN TONG ROAD,  
KWUN TONG, KOWLOON, HONG KONG.

TEL: 852-2790 0314 FAX: 852-2790 0206

**RATING AND CHARACTERISTIC CURVES (LL103A THRU LL103C)**

FIG. 1 - TYPICAL FORWARD CURRENT DERATING CURVE

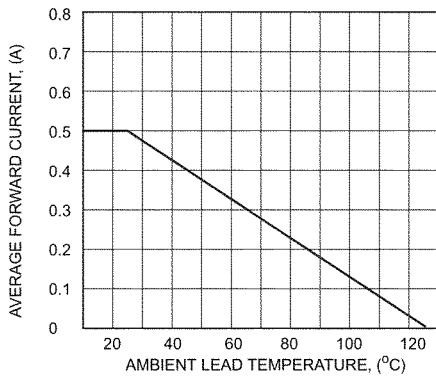


FIG. 2 - TYPICAL INSTANTANEOUS FORWARD CHARACTERISTICS

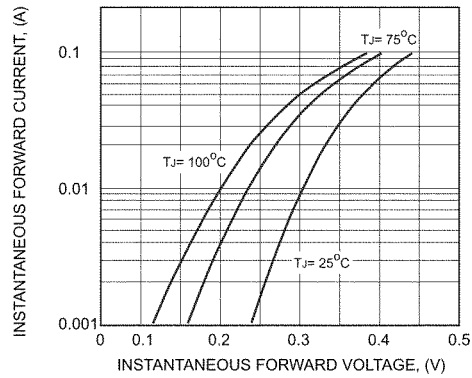


FIG. 3 - TYPICAL REVERSE CHARACTERISTICS

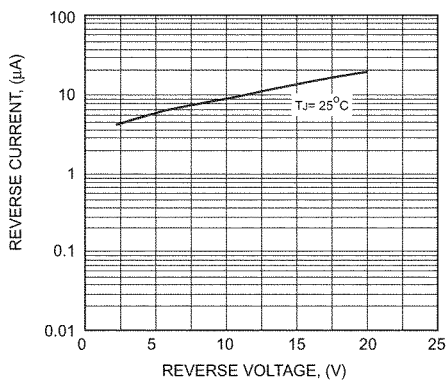


FIG. 4 - TYPICAL REVERSE CHARACTERISTICS

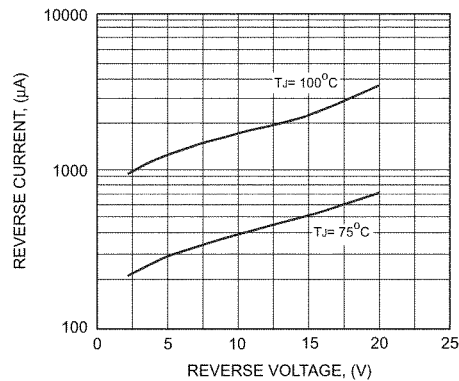


FIG. 5 - TYPICAL JUNCTION CAPACITANCE

