



FUKUCOM COMPANY LTD.

福 靈 有 限 公 司

FLAT P, 3/F., EVEREST INDUSTRIAL CENTRE, 396 KWUN TONG ROAD,
KWUN TONG, KOWLOON, HONG KONG.

TEL: 852-2790 0314 FAX: 852-2790 0206

	RECTIFIER SPECIALISTS	DL60P
---	-----------------------	-------

TECHNICAL SPECIFICATIONS OF SMALL SIGNAL SCHOTTKY DIODES

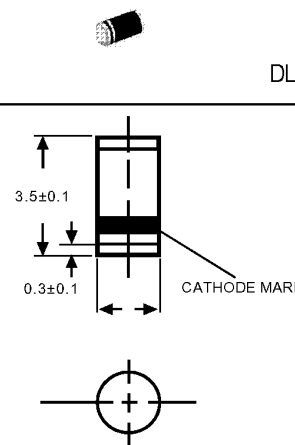
FEATURES

- * Metal silicon junction, majority carrier conduction.
- * High current capability, low forward voltage drop.
- * Extremely low reverse current I_R
- * Ultra speed switching characteristics
- * Small temperature coefficient of forward characteristics
- * Satisfactory Wave detection efficiency
- * For use in RECORDER, TV, RADIO, TELEPHONE as detectors, super high speed switching circuits, small current rectifier

MECHANICAL DATA

- * Case: DL-35 glass case
- * Polarity: color band denotes cathode end
- * Weight: 0.05 grams approx.

DL-35



Dimensions in millimeters

MAXIMUM RATINGS AND ELECTRICAL CHARACTERISTICS

Ratings at 25°C ambient temperature unless otherwise specified.
Single phase, half wave, 60 Hz, resistive or inductive load.
For capacitive load, derate current by 20%.

ABSOLUTE RATINGS(LIMITING VALUES)

PARAMETERS		SYMBOL	VALUE	UNITS
Zener Repetitive Peak Reverse Voltage		V_{RRM}	45	Volts
Forward Continuous Current	$T_A=25^\circ\text{C}$	I_F	50	mA
Peak Forward Surge Current (t=1S)		I_{FSM}	500	mA
Storage and junction Temperature Range		T_{STG}/T_J	-65 to +125	°C
Maximum Lead Temperature for Soldering during 10S at 4mm from Case		T_L	230	°C

ELECTRICAL CHARACTERISTICS

PARAMETERS	TEST CONDITIONS	SYMBOL	VALUE		UNITS
			TYP.	MAX.	
Forward Voltage	$I_F=1\text{mA}$	V_F	0.24	0.5	Volts
	$I_F=200\text{mA}$		0.65	1.0	
Reverse Current	$V_R=15\text{V}$	I_R	0.5	1.0	μA
Junction Capacitance	$V_R=10\text{V}$ $f=1\text{MHz}$	C_J	6.0		pF
Detection Efficiency	$V_i=3\text{V}$ $f=30\text{MHz}$ $C_L=10\text{pF}$ $R_L=3.8\text{K}\Omega$	η	60		%
Reverse Recovery time	$I_F=I_R=1\text{mA}$ $I_{rr}=1\text{mA}$ $R_C=100\Omega$	t_{rr}		1	ns
Junction Ambient Thermal Resistance		$R_{\theta JA}$	400		°C/W