



FUKUCOM COMPANY LTD.

福 靈 有 限 公 司

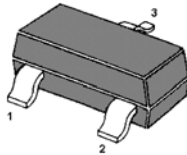
FLAT P, 3/F., EVEREST INDUSTRIAL CENTRE, 396 KWUN TONG ROAD,
KWUN TONG, KOWLOON, HONG KONG.

TEL: 852-2790 0314 FAX: 852-2790 0206

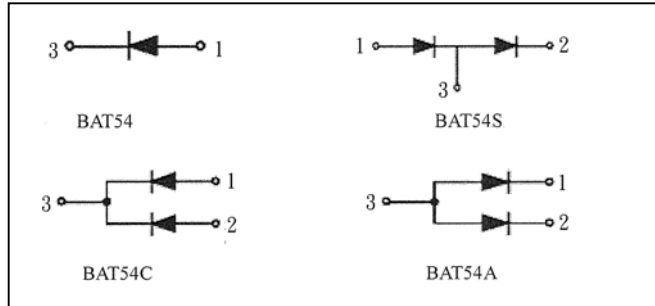
BAT54/ A/ C/ S LT1

Schottky Diode

SOT-23



SOT-23 Plastic Package



Absolute Maximum Ratings Ta=25°C unless otherwise noted

Symbol	Parameter	Value	Units
V _R	Reverse Voltage	30	V
P _{tot}	Power Dissipation	225	mW
T _j	Junction Temperature	125	°C
T _s	Storage Temperature range	-55~+150	°C

Electrical Characteristics Ta=25°C unless otherwise noted

Symbol	Parameter	Test Condition	Min.	Typ.	Max.	Units
V _F	Forward Voltage	I _F = 0.1mA I _F = 1mA I _F = 10mA I _F = 30mA I _F = 100mA			240 320 400 500 1000	mV
I _R	Leakage Current	V _R = 25V		0.5	2.0	uA
V _(BR)	Reverse Breakdown Voltage	100uA pulses	30			V
C _{tot}	Capacitance	V _F = 1V, f=1MHz			10	pF
T _{rr}	Reverse Recovery Time	I _F =10mA, I _R =10mA I _{rr} =1mA, R _L =100Ω			5	ns

Marking:

BAT54 : L4 BAT54C : 5C

BAT54S : B8 BAT54A : B6



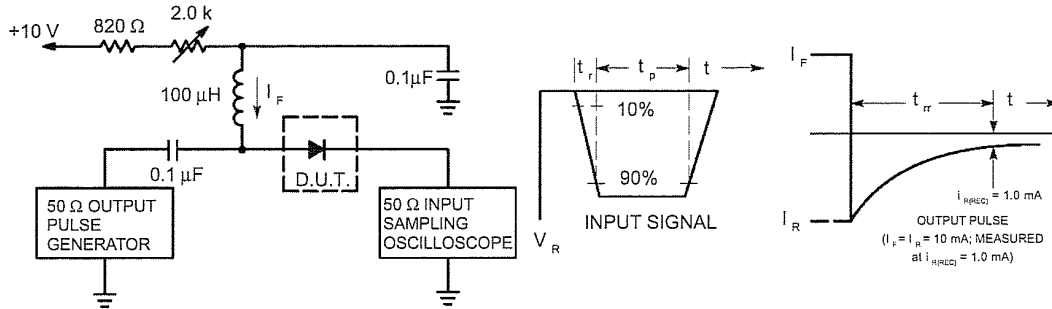
FUKUCOM COMPANY LTD.

福靈有限公司

FLAT P, 3/F., EVEREST INDUSTRIAL CENTRE, 396 KWUN TONG ROAD,
KWUN TONG, KOWLOON, HONG KONG.

TEL: 852-2790 0314 FAX: 852-2790 0206

BAT54R/A/C/SLT1



- Notes: 1. A 2.0 kΩ variable resistor adjusted for a Forward Current (I_F) of 10mA.
2. Input pulse is adjusted so $I_{R(\text{peak})}$ is equal to 10mA.
3. $t_p \gg t_r$

Figure 1. Recovery Time Equivalent Test Circuit

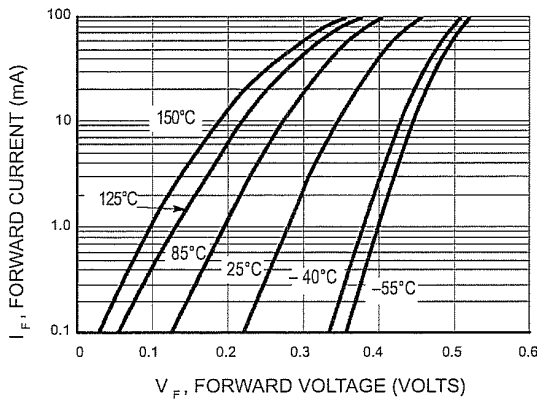


Figure 2. Forward Voltage

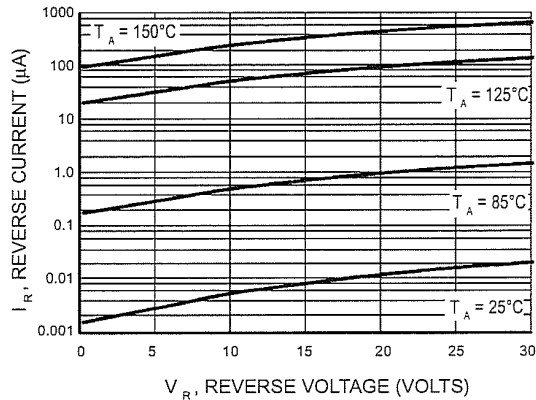


Figure 3. Leakage Current

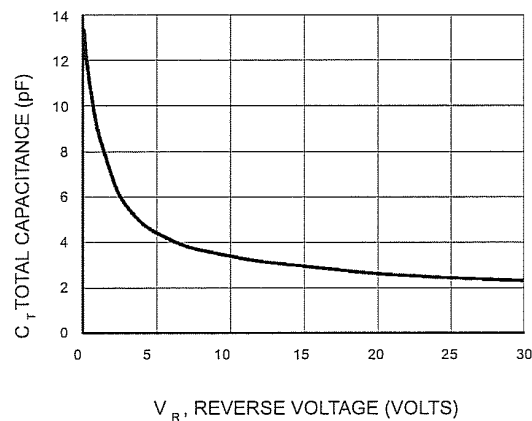


Figure 4. Total Capacitance