



FUKUCOM COMPANY LTD.

福 靈 有 限 公 司

FLAT P, 3/F, EVEREST INDUSTRIAL CENTRE, 396 KWUN TONG ROAD,
KWUN TONG, KOWLOON, HONG KONG.
TEL: 2790-0314 FAX: 2790-0206



SINGLE-PHASE BRIDGE RECTIFIER

RB151 THRU RB157

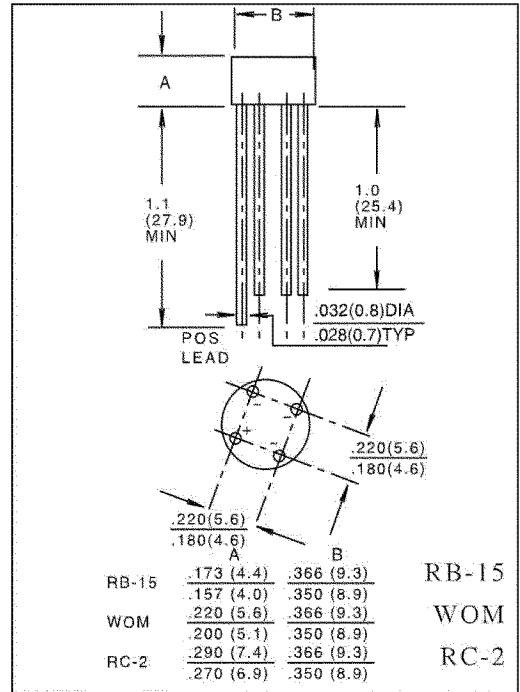
VOLTAGE RANGE 50 to 1000 Volts
CURRENT 1.5 Ampere

FEATURES

- Low cost
- This series is UL recognized under component index, file number E127707
- High forward surge current capability
- Ideal for printed circuit board
- High temperature soldering guaranteed: 260°C/10 second, 0.375" (9.5mm) lead length at 5 lbs. (2.3kg) tension.

MECHANICAL DATA

- Case: Molded Plastic body
- Terminal: Lead solderable per MIL - STD - 202E method 208C
- Polarity: Polarity symbols marked on case
- Mounting position : Any
- Weight: 0.04 ounce, 1.15 gram



MAXIMUM RATINGS AND ELECTRICAL CHARACTERISTICS

- Ratings at 25°C ambient temperature unless otherwise specified
- Single phase, half wave, 60Hz, resistive or inductive load.
- For capacitive load derate current by 20%

	SYMBOLS	RB151	RB152	RB153	RB154	RB155	RB156	RB157	UNIT	
Maximum Repetitive Peak Reverse Voltage	V_{RRM}	50	100	200	400	600	800	1000	Volts	
Maximum RMS Voltage	V_{RMS}	35	70	140	280	420	560	700	Volts	
Maximum DC Blocking Voltage	V_{DC}	50	100	200	400	600	800	1000	Volts	
Maximum Average Forward Rectified Output Current, at $T_A = 25^\circ C$ (Note 2)	$I_{(AV)}$	1.5							Amps	
Peak Forward Surge Current 8.3ms single half sine - wave superimposed on rated load (JEDEC method)	I_{FSM}	50							Amps	
Rating for Fusing ($t < 8.3ms$)	I^2t	10							A^2s	
Maximum Instantaneous Forward Voltage Drop per bridge element at 1.0A	V_F	1.0							Volts	
Maximum DC Reverse Current at rate DC blocking voltage per element	I_R	$T_A = 25^\circ C$	10							μA
		$T_A = 100^\circ C$	0.5							mA
Typical Junction Capacitance (Note 1)	C_j	15							pF	
Typical Thermal Resistance (Note 2)	$R_{\theta JA}$	40							$^\circ C/W$	
Operating Temperature Range	T_J	(-55 to +125)							$^\circ C$	
Storage Temperature Range	T_{STG}	(-55 to +150)								

NOTES:

1. Measured at 1.0 MHz and applied reverse voltage of 4.0 Volts.
2. Unit mounted on P.C. board with 0.22" X 0.22" (5.5 X 5.5 mm) copper pads, .375" (9.5mm) lead length.



FUKUCOM COMPANY LTD.

福 靈 有 限 公 司

FLAT P, 3/F, EVEREST INDUSTRIAL CENTRE, 396 KWUN TONG ROAD,
 KWUN TONG, KOWLOON, HONG KONG.
 TEL: 2790-0314 FAX: 2790-0206

RATINGS AND CHARACTERISTIC CURVES RB151 THRU RB157

FIG.1-DERATING CURVE FOR OUTPUT RECTIFIED CURRENT

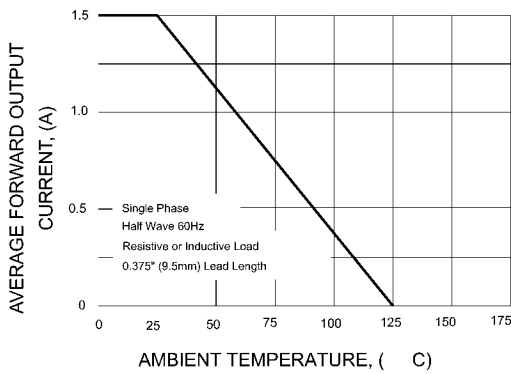


FIG.2-MAXIMUM NON-REPETITIVE PEAK FORWARD SURGE CURRENT PER ELEMENT

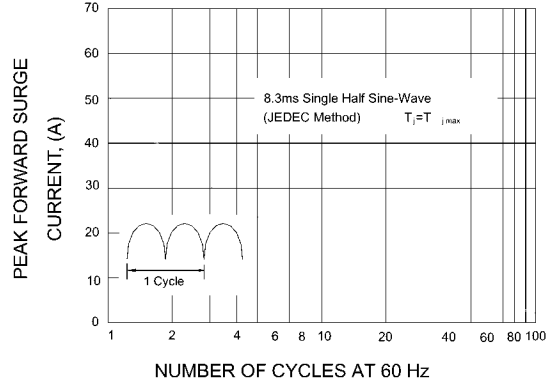


FIG.3-TYPICAL FORWARD CHARACTERISTICS PER BRIDGE ELEMENT

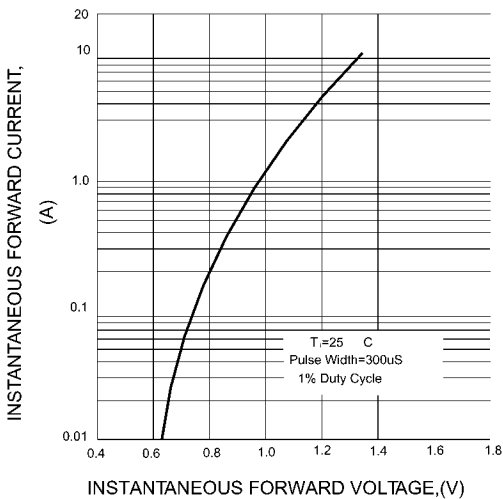


FIG.4-TYPICAL REVERSE CHARACTERISTICS PER BRIDGE ELEMENT

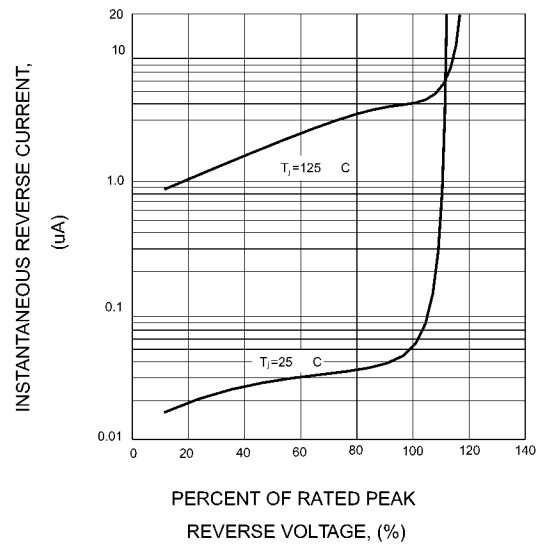


FIG.5-TYPICAL JUNCTION CAPACITANCE PER BRIDGE ELEMENT

